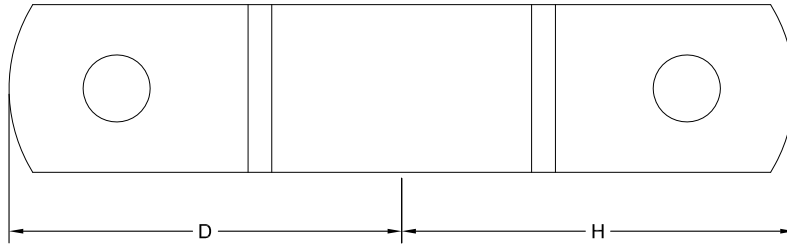


Top View:



Side View:

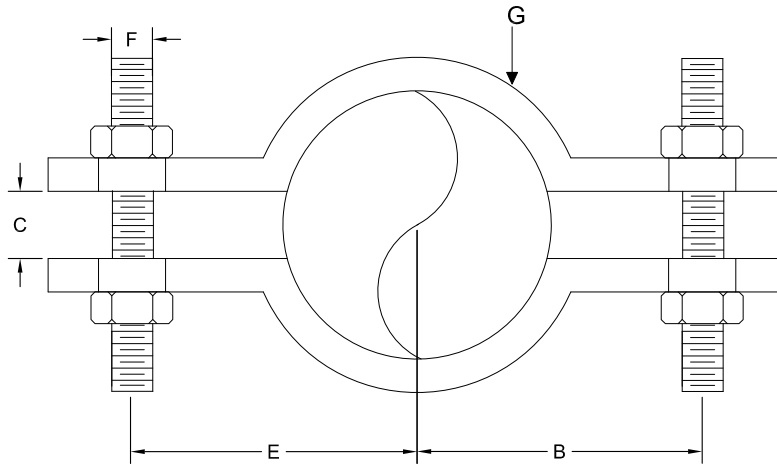


Figure 212 - Load (lbs.) and Dimensions (in.)

Pipe Size	Maximum Load For Service Temperature		Weight	B	C	Rod Take Out E	H	D	F	G Width	
	650 F	750 F									
1/2	500	-	0.29	1	1/2	1 3/16	1 17/32	1 23/32	5/16	1	
3/4			0.33	1 1/8		1 1/4	1 21/32	1 25/32			
1			0.35	1 7/16		1 3/8	1 31/32	2 5/32			
1 1/4			0.43	1 9/16		1 5/8	1 11/16	2 3/32			2 7/32
1 1/2			800	1.10		2 1/8	2 1/8	2 3/4			2 3/4
2	1040	930	1.20	2 5/8	5/8	2 5/8	3 1/4	3 1/4	1/2		
2 1/2			1.40	2 7/8		2 7/8	3 1/2	3 1/2			
3			1.50	3 3/16		3 3/16	3 13/16	3 13/16			
3 1/2			1.80	3 1/2		3 1/2	4 1/4	4 1/4			
4			2.60	4 3/16		3/4	4 3/16	4 15/16			4 15/16
5	1615	1440	5.40	4 7/8	1 1/4	4 7/8	5 3/4	5 3/4	3/4		
6			6.50	6		6	6 7/8	6 7/8			
8			13.60	7 7/16		1	7 7/16	8 9/16		8 9/16	
10	2490	2220	15.20	8 7/16	1 1/8	8 7/16	9 9/16	9 9/16	7/8		
12			20.50	9 1/4		9 1/4	10 5/8	10 5/8			
14			22.30	10 1/4		10 1/4	11 5/8	11 5/8			
16			31.60	11 5/8		1 1/4	11 5/8	13		13	1
18			35.80	12 3/4		1 3/8	12 3/4	14 1/8		14 1/8	1 1/8
20	3060	2730	53.10	15 1/4	1 5/8	15 1/4	16 7/8	16 7/8	1 1/4		
24			113.90	19	2	19	21 1/8	21 1/8	1 3/4		
30			3500	3360	113.90	19	2	19	21 1/8	21 1/8	1 3/4

Notes and Specifications:

1. Material to be carbon steel (different materials and finishes available upon request)
2. Custom dimensions available upon request.
3. Maximum temperature: 750°F plain CS, 450°F galvanized

CUSTOMER DATE: CO NAME: CONTACT: TEL. NO. E-MAIL: RFQ: PO: REF:	DWN.	DATE	6/09/15	<b>ADVANCED PIPING PRODUCTS</b> 5611 Guhn Road Houston TX, 77040 Tel. 713-956-2922 Fax 713-956-4090 www.appinc.co					
	CHK.								
	ENG.								
	APPR.								
	MFG.			DWG DESCRIPTION Fig. 212 Steel Pipe Clamps					
	SO.								
					SIZE	A	2120615	REV.	0
					SCALE	None		SHEET	1 OF 1
					NEXT ASSY		QTY		