

Side View

Top View

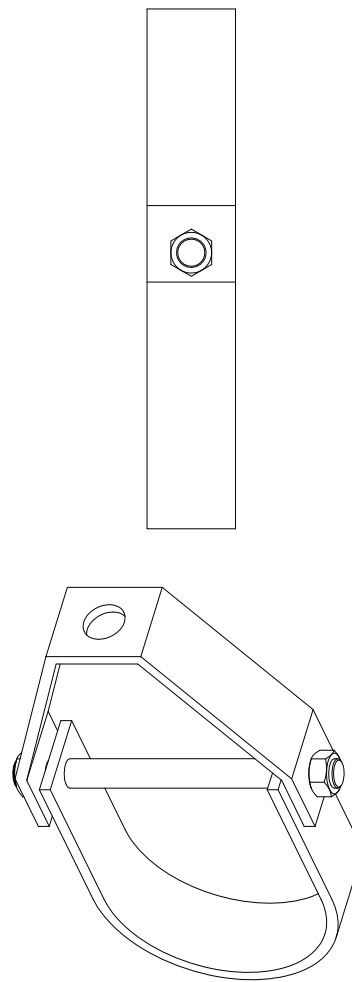
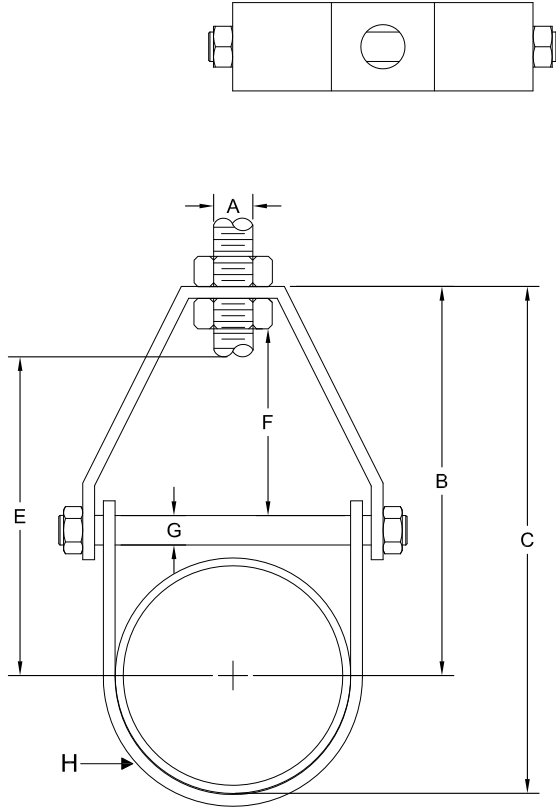


Figure 260 - Load (lbs.) and Dimensions (in.)

Pipe Size	Maximum Load	Weight	A	B	C	E	F	G	H Width
1/2	610	.34	3/8	2 3/16	2 11/16	1 1/2	5/8	1/4	1
3/4		.34		2		1 5/16			
1	.35	2 5/16		3	1 5/8				
1 1/4	.40	2 3/8		3 1/4	1 11/16				
1 1/2	.45	2 13/16		3 13/16	2 1/8	7/8			
2	.50	3 5/16		4 1/2	2 5/8	1 1/8			
2 1/2	1350	.65	1/2	4 1/16	5 1/2	3 3/16	1 5/16	3/8	1 1/4
3		.85		4 3/4	6 1/2	4 1/16	1 5/8		
3 1/2	1.10	1430	5/8	5 1/16	7 1/16	4 3/16	1 13/16	1/2	1 3/16
4	1.51			5 9/16	7 13/16	4 1/2	1 11/16		
5	1.70	1940	3/4	6 9/16	8 15/16	5 1/2	1 15/16	5/8	1 3/4
6	3.10			6 15/16	10 1/4	5 3/4	1 11/16		
8	2000	4.75	7/8	8 3/8	12 11/16	7 3/16	2	3/4	2
10	3800	8.60		9 7/8	15 1/4	8 7/16	2 1/8		
12	3800	11.20	1	11 9/16	17 15/16	10 1/8	2 13/16	1	2 1/2
14	4200	12.50		12 9/16	19 9/16	10 11/16	2 11/16		
16	4600	19.85	1 1/4	14	22	12	2 3/4	3/8	3
18	4800	22.25		15 15/16	24 15/16	13 15/16	3 13/16		
20	4800	40.33	1 1/4	17 9/16	27 9/16	15 3/16	1 1/4	7/8	3
24	4800	49.83		19 13/16	31 13/16	17 5/16			
30	6000	70.18		24 3/16	39 3/16	21 9/16	5 1/8	1 1/4	

Notes and Specifications:

1. Material to be carbon steel (different materials and finishes available upon request).
2. Custom dimensions available upon request.
3. Maximum temperature: 750°F plain CS, 450°F galvanized.
4. For optimal performance, securely tighten load nut above clevis.

CUSTOMER DATE: CO NAME: CONTACT: TEL. NO. E-MAIL: RFQ: PO: REF:	DWN.	DATE	6/08/15	ADVANCED PIPING PRODUCTS 5611 Guhn Road Houston TX, 77040 Tel. 713-956-2922 Fax 713-956-4090 www.appinc.co			
	CHK.						
	ENG.			DWG DESCRIPTION Fig. 260 Adjustable Clevis Hanger			
	APPR.						
	MFG.						
	SO.						
			SIZE	A	2600615	REV.	0
	NEXT ASSY	QTY	SCALE	None	SHEET	1 OF 1	