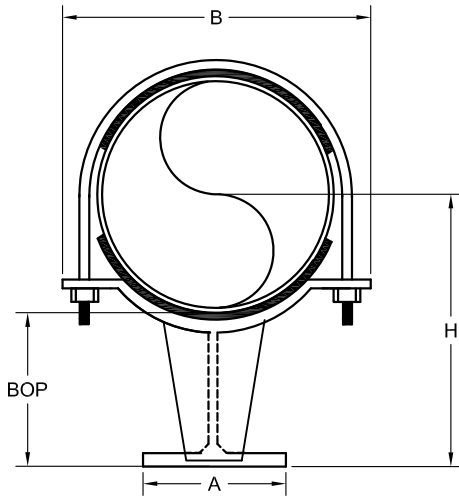
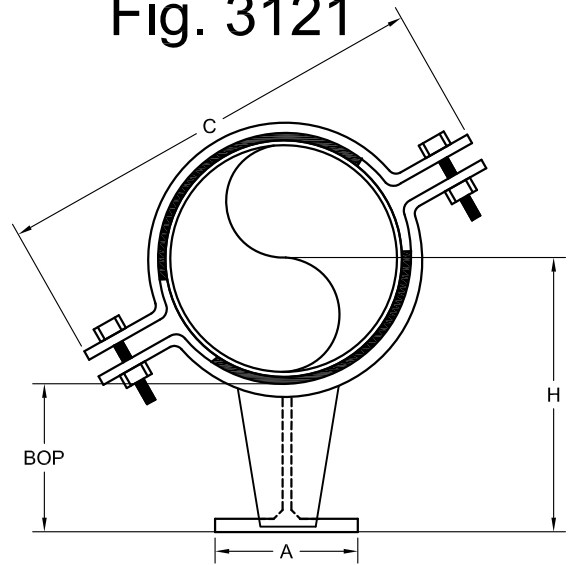


### Fig. 3111

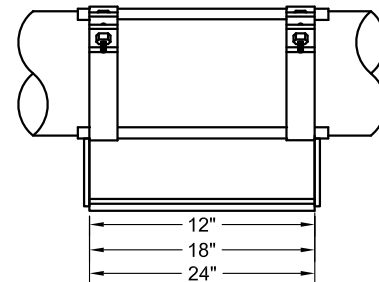
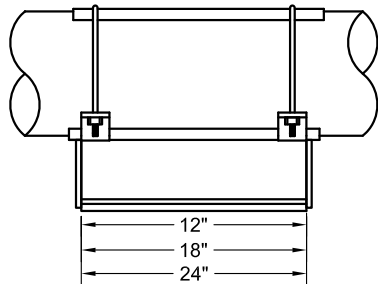


Front view:

### Fig. 3121



Side view:



Dimensions (in.)								
Pipe Size	Pipe OD	A	B	C	BOP	H	BOP	H
2	2.375	4	5 1/2	6	4	5 3/16	6	7 3/16
2 1/2	2.875	4	6	7	4	5 7/16	6	7 3/16
3	3.5	4	6 1/2	7 1/2	4	5 3/4	6	7 3/4
3 1/2	4	4	7	8 1/8	4	6	6	8
4	4.5	4	7 1/2	9	4	6 1/4	6	8 1/4
6	6.625	4	10 1/4	12	4	7 5/16	6	9 5/16
8	8.625	4	12 1/2	14 1/4	4	8 5/16	6	10 5/16
10	10.75	4	15	17 5/8	4	9 3/8	6	11 3/8
12	12.75	8	17	19 5/8	4	10 3/8	6	12 3/8
14	14	8	18 1/2	21 3/4	4	11	6	13
16	16	8	20 1/2	23 3/4	4	12	6	14
18	18	8	22 3/4	26 1/2	4	13	6	15
20	20	10	24 3/4	28 3/4	4	14	6	16
22	22	10	26 3/4	31	4	15	6	17
24	24	10	29	34 1/2	4	16	6	18

**Notes & Specifications:**

- Standard BOP dimension is 4" or 6". Custom dimensions available upon request.
- Standard length dimension is 12", 18" or 24". Custom dimensions available upon request.
- Material is CS HDG. Different finishes available upon request.
- Maximum operating temperature is 400°F
- ProTek Wear Pad to have 120 degrees of coverage
- U-bolt and wear pad can be substituted with coated ProTek U-Bolt upon request.

ITEM	QTY	DESCRIPTION	MATERIAL
1	1	Figure 3111 Pipe Shoe	CS HDG shoe + FRP wear pad
2	1	Figure 3121 Pipe Shoe	CS HDG shoe + FRP wear pad

CUSTOMER \_\_\_\_\_  
 DATE: \_\_\_\_\_  
 CO NAME: \_\_\_\_\_  
 CONTACT: \_\_\_\_\_  
 TEL. NO. \_\_\_\_\_  
 E-MAIL: \_\_\_\_\_  
 RFQ: \_\_\_\_\_  
 PO: \_\_\_\_\_  
 REF: \_\_\_\_\_

DWN. \_\_\_\_\_ DATE 5/26/15  
 CHK. \_\_\_\_\_  
 ENG. \_\_\_\_\_  
 APPR. \_\_\_\_\_  
 MFG. \_\_\_\_\_ APP  
 SO. \_\_\_\_\_  
 \_\_\_\_\_  
 \_\_\_\_\_  
 \_\_\_\_\_

**ADVANCED PIPING PRODUCTS**  
 5611 Guhn Road Houston TX, 77040  
 Tel. 713-956-2922 Fax 713-956-4090  
 www.appinc.co

DWG DESCRIPTION  
 T-Slide Metallic Pipe Shoes with gussets and ProTek Wear Pad Liner

SIZE	A	TPSGLO515	REV.	0
SCALE	None		SHEET	1 OF 1

NEXT ASSY	QTY
-----------	-----