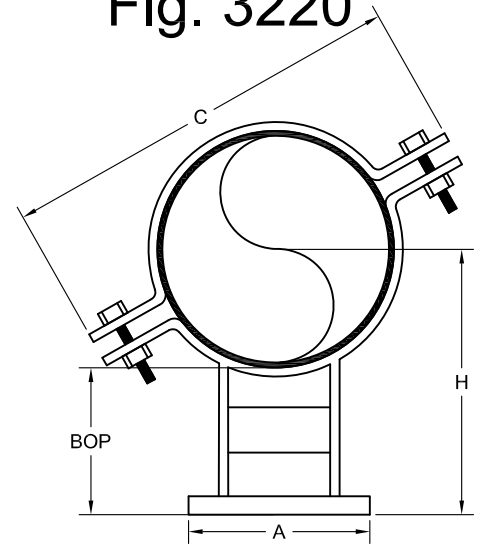
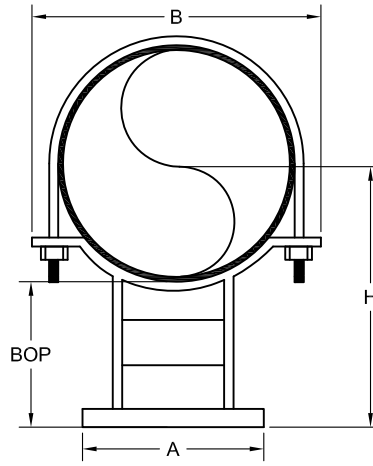
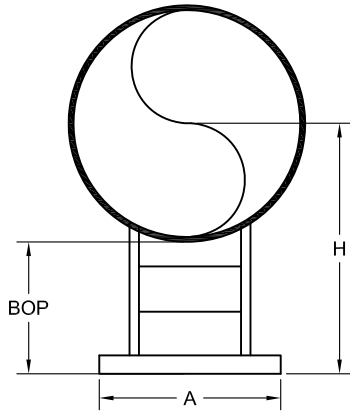


Fig. 3200

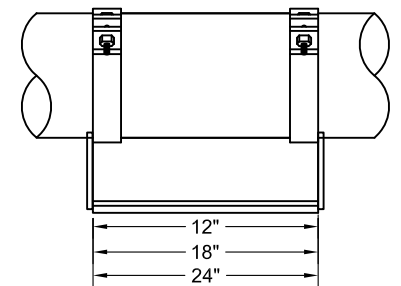
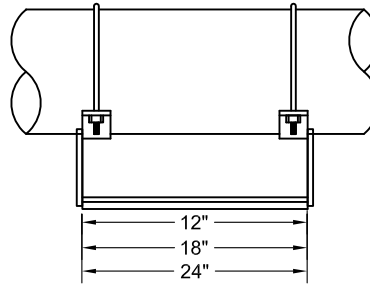
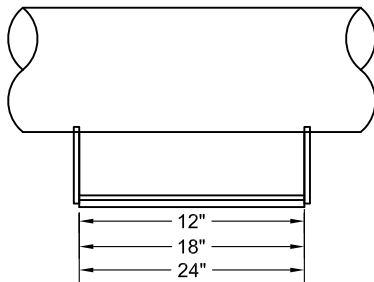
Fig. 3210

Fig. 3220

Front view:



Side view:



Dimensions								
Pipe Size	Pipe OD	A	B	C	BOP	H	BOP	H
6	6.625	4	9 3/4	11 1/2	4	7 5/16	6	9 5/16
8	8.6250	4	12	13 3/4	4	8 5/16	6	10 5/16
10	10.75	4	14	17 1/8	4	9 3/8	6	11 3/8
12	12.75	8	16 3/4	19 1/8	4	10 3/8	6	12 3/8
14	14	8	18	21 1/4	4	11	6	13
16	16	8	19 3/4	23 1/4	4	12	6	14
18	18	8	22	26	4	13	6	15
20	20	10	24	28 1/4	4	14	6	16
22	22	10	26	31	4	15	6	17
24	24	10	28	33 3/4	4	16	6	18
30	30	10	34	42 1/4	4	19	6	21
36	36	10	40	44	4	22	6	24
42	42	10	46	50	4	25	6	27

Notes & Specifications:

- Standard BOP dimension is 4" or 6". Custom dimensions available upon request.
- Standard length dimension is 12", 18", or 24". Custom dimensions available upon request.
- Material is CS HDG. Different finishes available upon request.
- Maximum operating temperature is 450°F
- U-bolt can be supplied as coated APP ProTek U-Bolt upon request.

ITEM	QTY	DESCRIPTION	MATERIAL
1	1	Figure 3200 Pipe Shoe	CS HDG
2	1	Figure 3210 Pipe Shoe	CS HDG
3	1	Figure 3220 Pipe Shoe	CS HDG

CUSTOMER
 DATE:
 CO NAME:
 CONTACT:
 TEL. NO.
 E-MAIL:
 RFQ:
 PO:
 REF:

DWN. DATE 5/26/15
 CHK.
 ENG.
 APPR.
 MFG. APP
 SO.
 NEXT ASSY QTY

ADVANCED PIPING PRODUCTS
 5611 Guhn Road Houston TX, 77040
 Tel. 713-956-2922 Fax 713-956-4090
 www.appinc.co

DWG DESCRIPTION
 Double T-Slide Metallic Pipe Shoe

SIZE A DTPS0515 REV. 0
 SCALE None SHEET 1 OF 1