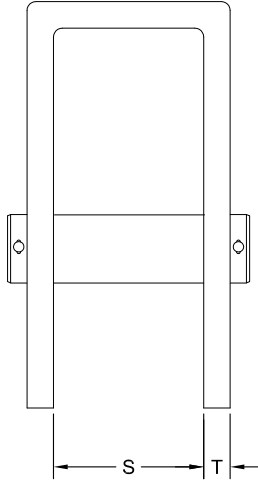
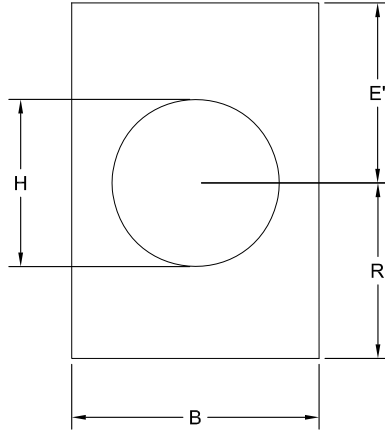


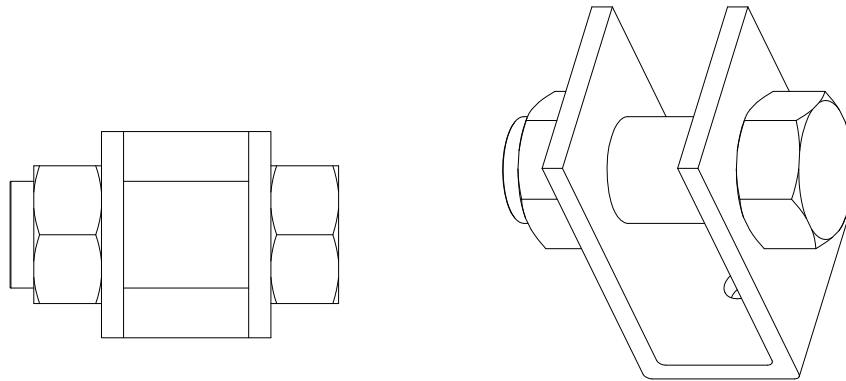
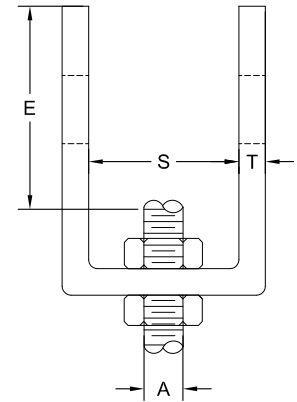
2" rod diameter and larger are fabricated



1 3/4" rod diameter and smaller are formed using bolt or pin and eye rod



Using hanger rod with attachment in inverted position (1 1/4" rod diameter and smaller only)



Rod Size A	Pin or Bolt Size	Max Load		Weight		Rod Take Out		B	H	R	S	T	
		650 F	750 F	Without Bolt & Nut	With Bolt & Nut	E	E'						
3/8	1/2 x 2 1/2	730	572	0.96	1.2	17/8	2	2	9/16	7/8	11/4	1/4	
1/2	5/8 x 2 1/2	1,350	1,057		1.3	13/4			11/16				
5/8	3/4 x 2 3/4	2,160	1,692		1.6				13/16				
3/4	7/8 x 4	3,230	2,530	1.9	2.8	2 5/8	3	2 1/2	15/16	11/8	17/8	3/8	
7/8	1 x 4	4,480	3,508	2.5	3.9			11/4	11/4	2	11/8		11/2
1	1 1/8 x 5	5,900	4,620	4.3	6.3	2 3/4	4	5	3	1 1/4	1 1/2	2 1/2	1/2
1 1/4	1 3/8 x 5 3/8	9,500	7,440	8.1	10.2	2 7/8			4	1 1/2	2	3 3/4	3 3/4
1 1/2	1 5/8 x 6	13,800	10,807	/	19	/	5	6	2	2 3/4	3 3/4	3 3/4	1/2
1 3/4	1 7/8 x 6 7/8	18,600	14,566	/	24.2	/			5	2 3/8	3 1/4		
2	2 1/4 x 6 7/8	24,600	19,265	/	30.6	/	5 3/4	6	2	2 5/8	3 1/2	3 3/4	5/8
2 1/4	2 1/2 x 7 3/8	32,300	25,295	/	36.8	/			6	2 7/8	3 3/4		
2 1/2	2 3/4 x 7 5/8	39,800	31,169	/	39.7	/	7	7	3 1/8	4	4 1/2	4 1/4	3/4
2 3/4	3 x 7	49,400	38,687	/	40.8	/			7				
3	3 1/4 x 7	60,100	47,066	/	46.7	/	6 1/4	3 5/8	4	4 1/2	4 1/4	3/4	
3 1/4	3 1/2 x 7 3/4	71,900	56,307	/	62.1	/	7	3 7/8	4 1/2	4 1/4	3/4		
3 1/2	3 3/4 x 7 3/4	84,700	66,331	/	72.4	/	7 1/2	3 7/8	4 1/2	4 1/4	3/4		

Notes and Specifications:

1. Material to be carbon steel (different materials and finishes available upon request).
2. Custom dimensions available upon request.
3. Maximum temperature: 750°F plain CS, 450°F galvanized.

CUSTOMER DATE: CO NAME: CONTACT: TEL. NO. E-MAIL: RFQ: PO: REF:	DWN.	DATE	6/10/15	ADVANCED PIPING PRODUCTS 5611 Guhn Road Houston TX, 77040 Tel. 713-956-2922 Fax 713-956-4090 www.appinc.co				
	CHK.							
	ENG.							
	APPR.							
	MFG.							
	SO.							
				DWG DESCRIPTION				
				Fig. 66 Welded Beam Attachment				
				SIZE	A	660615	REV.	0
				SCALE	None		SHEET	1 OF 1
				NEXT ASSY	QTY			